

# G5404B Microplate Labeler Unpacking Guide

This guide describes how to unpack the Microplate Labeler from the shipping containers. The topics are:

- “Before you start” on page 1
- “Unpacking the shipping containers” on page 1
- “Inspecting the components” on page 2
- “Attaching or removing the printer cover” on page 2
- “About installation and setup” on page 4
- “Accessing product user documentation” on page 4
- “Contacting Agilent Technologies” on page 4

## Before you start

**WARNING** The Microplate Labeler weighs 18.7 kg (41.3 lb). Do not attempt to unpack or move the Microplate Labeler without assistance. Always use proper lifting techniques to avoid injury.

- **Personnel requirements.** Make sure two people are available to lift the Microplate Labeler from the packing container.
- **Site specifications.** Ensure the installation site meets the required site specifications. For details, see the *G5404B Microplate Labeler User Guide* included with the shipment. Or, go to [www.agilent.com/lifesciences/automation](http://www.agilent.com/lifesciences/automation), click the **Knowledge Base** link, and then search the current Knowledge Base for the Microplate Labeler laboratory requirements.

## Workflow for unpacking

Step	Task
1	Unpack the shipping containers.
2	Inspect the components.
3	Attach the printer cover to the Microplate Labeler.

## Unpacking the shipping containers

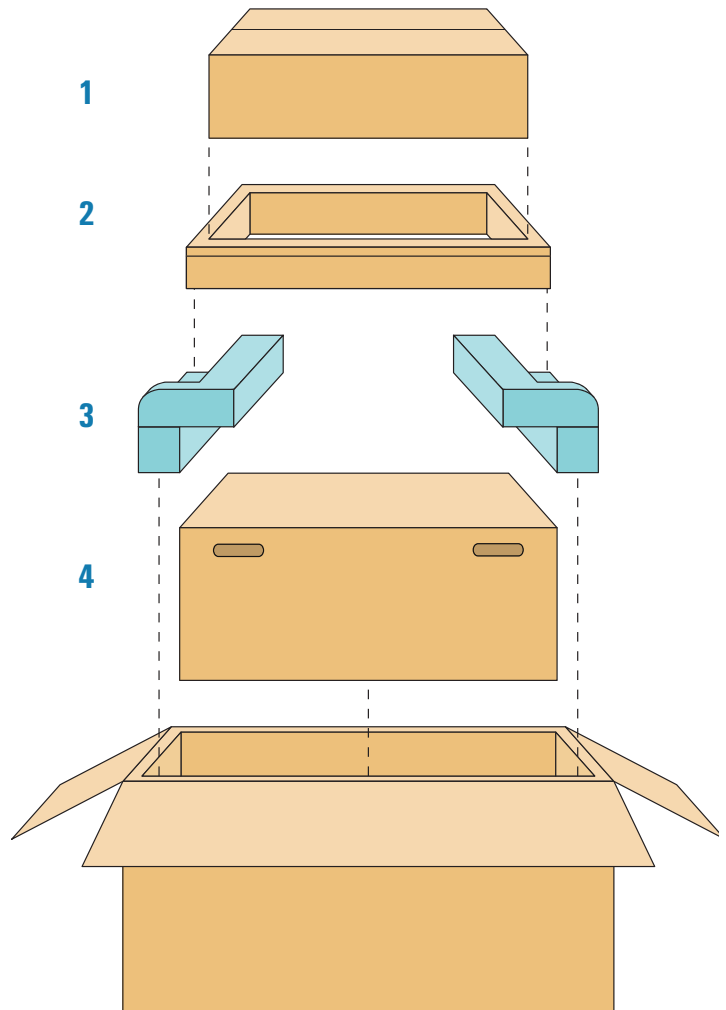
**CAUTION** Make sure the shipping container is oriented with the top side up.

**IMPORTANT** Save the packaging materials in case you must move or ship the Microplate Labeler.

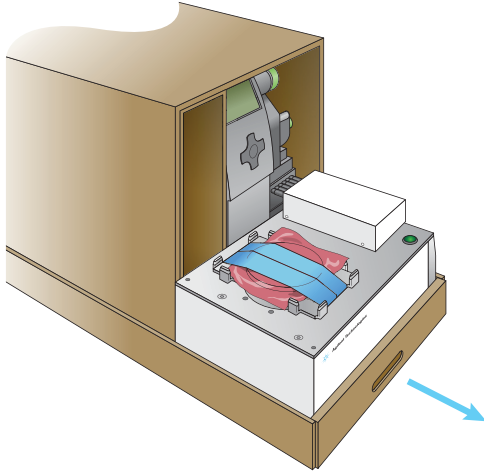
The device shipping container holds two boxes: the smaller box contains the printer cover, and the larger box contains the Microplate Labeler.

## To unpack the Microplate Labeler:

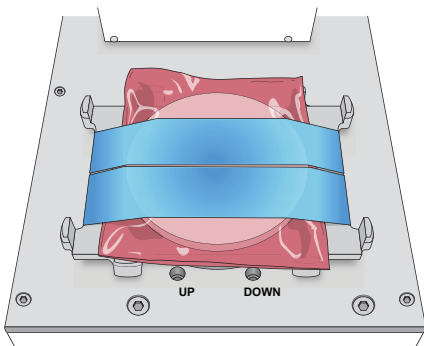
- 1 Open the shipping container, and remove the top box (1), which contains the printer cover, and set it aside temporarily.
- 2 Remove the top cardboard insert (2) from the shipping container.
- 3 Remove the foam packing caps (3) from each end of the device box.
- 4 With a person positioned on each side, reach down inside the shipping container until you can grasp the two handles on each side of the device box (4). Carefully lift the device box (4) out of the shipping container and onto a stable surface, such as a lab bench.
- 5 Open both ends of the device box (4), and remove the additional packing foam at the front end.



- 6** To slide the tray out of the device box, position a person on each end of the device box. While one person pulls the tray handle at the front, the other person should push the tray from behind until the tray is fully out of the box.



- 7** Remove the cardboard top cover from the tray.
- 8** To lift the device out of the tray, position a person on each side of the Microplate Labeler. Reach inside the tray and underneath the baseplate. While firmly holding the baseplate, lift the Microplate Labeler onto a lab bench.
- 9** Remove the round spacer that is taped to the plate stage. Set the spacer aside for potential future use.



To determine if the spacer should be installed, you must first complete the device installation and setup described in the *G5404B Microplate Labeler User Guide*.

- 10** Open the smaller box that you set aside in [step 1](#). Remove the packing foam, and then carefully remove the printer cover.

## Inspecting the components

**IMPORTANT** Inspect all items for completeness and potential shipping damage. If an item is defective on arrival, contact the Automation Solutions Business Center at 1-800-227-9770 as soon as possible.

After unpacking the Microplate Labeler, round spacer, and the printer cover, verify that the following items are included with your shipment. The following items may be packaged in a separate box:

- Air connection kit (non-metric or metric), including tubing and fittings
- G5404B Microplate Labeler Media Kit
  - Roll of labels (6500)
  - Thermal transfer ribbon
  - Empty ribbon core for winding the used ribbon
  - Pen for cleaning the printhead and print roller
- G5404B Microplate Labeler software and documentation CD-ROM
- *G5404B Microplate Labeler User Guide*
- Serial communications cable
- Red Ethernet CAT5E RJ45 crossover cable, 3.048-m (10-ft), for connecting the device directly to the computer.
- Black Ethernet CAT5E RJ45 cable, 3.048-m (10-ft), for use with a network switch or hub
- Hex wrench (2.5 mm)
- Power cord appropriate for your country

## Attaching or removing the printer cover

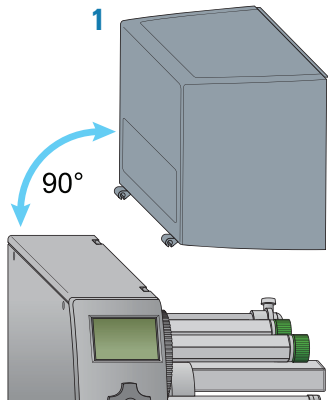
You should attach the printer cover to the Microplate Labeler to keep the printer clean and free of dust. However, if the Microplate Labeler will be operated within an enclosure where no corrosive chemicals or gases are present, the cover is not required.

**CAUTION** When installing the cover, insert only one hinge tab at a time. Do not attempt to force both hinge tabs into the mounting slots at the same time. Handle the cover with care to protect against any damage.

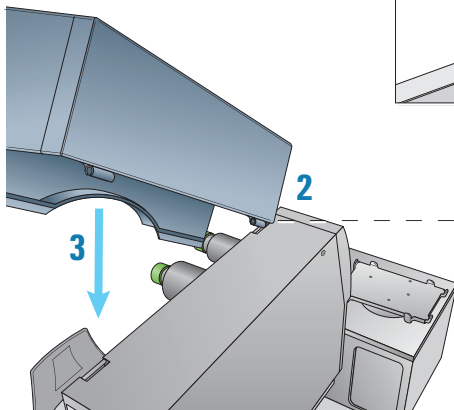
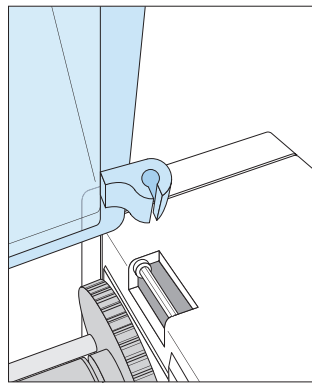
## Attaching the printer cover

### To attach the printer cover:

- 1 Using both hands, grasp each end of the cover. While facing the side of the printer, hold the cover at a 90-degree angle to the top of the printer (1).



- 2 While aligning the flat edge of the hinge tab with the flat edge of the slot, gently press the cover's front hinge (2) into the printer's front slot.



- 3 While aligning the flat edge of the hinge tab with the flat edge of the slot, gently press the cover's rear hinge (3) into the printer's rear slot.

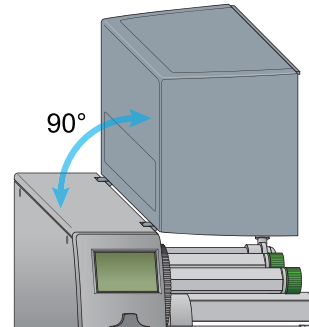
## Removing the printer cover

If you must remove the cover, make sure you use the following procedure. Before shipping the Microplate Labeler, you must remove the cover.

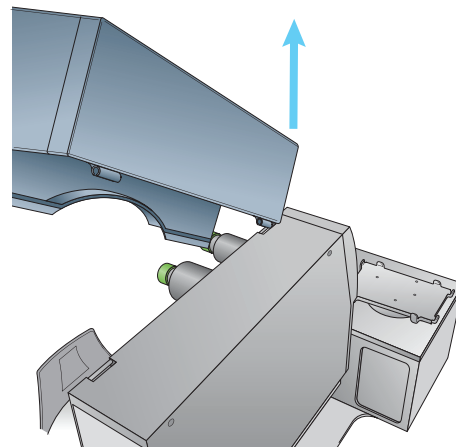
**CAUTION** Gently release the cover by lifting off only one hinge tab at a time. Do not attempt to snap off both hinge tabs at the same time. Doing so could damage the cover.

### To remove the cover from the printer:

- 1 Stand facing the printer, and open the cover so that the cover is at a 90-degree angle to the top of the printer.



- 2 Grasp each end of the cover with your hands, while resting your thumbs on the top of the printer.
- 3 At the rear of the printer, press your thumb against the printer's top to release the cover's rear hinge tab from the slot.

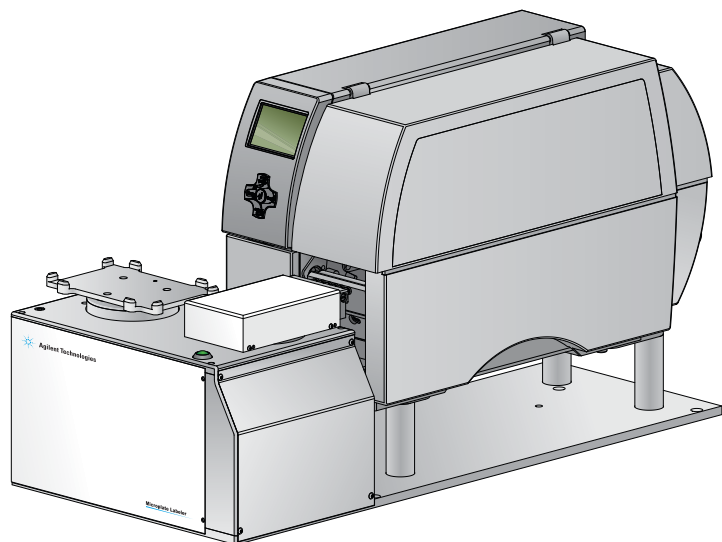


- 4 While still supporting the cover in your hands, lift the back end of the cover until it slowly pivots the front hinge off of the front of the printer.

**CAUTION** If you are shipping the Microplate Labeler, make sure that you repack the cover and the device separately using the original packaging.

## About installation and setup

See the *G5404B Microplate Labeler User Guide* for installation and setup instructions.



## Accessing product user documentation

You can search the Automation Solutions online knowledge base or download the latest version of a PDF file from the Agilent Technologies website at [www.agilent.com/lifesciences/automation](http://www.agilent.com/lifesciences/automation).

## Contacting Agilent Technologies

Technical Support: 1.800.979.4811 or +1.408.345.8011  
[service.automation@agilent.com](mailto:service.automation@agilent.com)

Customer Service: 1.866.428.9811 or +1.408.345.8356  
[orders.automation@agilent.com](mailto:orders.automation@agilent.com)

European Service: +44 (0)1763853638  
[euroservice.automation@agilent.com](mailto:euroservice.automation@agilent.com)

Documentation feedback:  
[documentation.automation@agilent.com](mailto:documentation.automation@agilent.com)

Web: [www.agilent.com/lifesciences/automation](http://www.agilent.com/lifesciences/automation)